



COMBiLiFT

Customised Handling Solutions

Combilift Sideloader Range

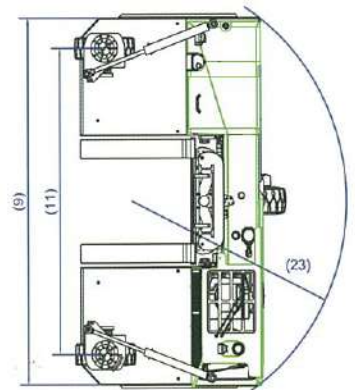
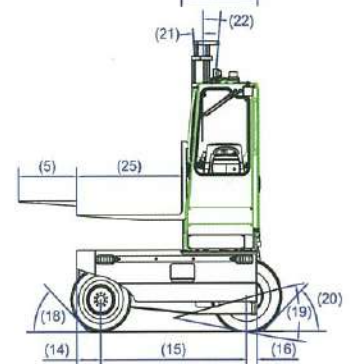
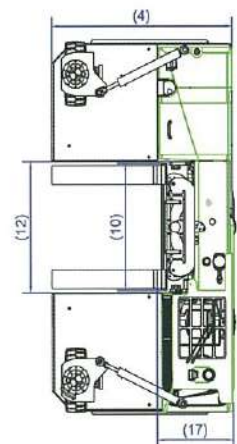
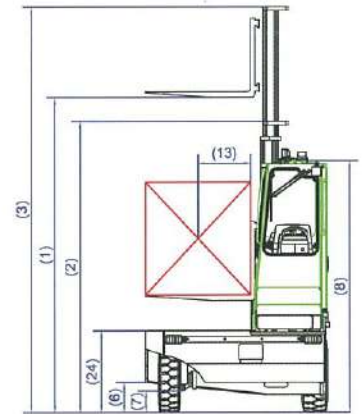


Capacity: 4,500 kg - 6,000 kg



Specifications: Combi-SL

REF	DESCRIPTION	C4500SL	C5000SL	C6000SL
1a	Standard Lift Height		4040mm	
1b	Free Lift Height		0mm	
2	Height Mast Closed		3000mm	
3	Max. (Mast Raised)		5200mm	
4	Overall Length	2050mm	2050mm	2250mm
5	Mast Travel	1290mm	1290mm	1490mm
6	Ground Clearance Under Mast		300mm	
7	Ground Clearance to Wheelbase Centre		235mm	
8	Height Over Cab or of Overhead Guard		2670mm	
9	Width		3900mm	
10	Outside Spread of Fork Arms		1350mm	
11	Track Front		3258mm	
12	Frame Opening		1400mm	
13	Load Centre Distance		600mm	
14	Overhang Front		272mm	
15	Wheel Base	1658mm	1858mm	1858mm
16	Overhang Back		121mm	
17	Length from Face of Fork		850mm	
18	Approach Angle		45 °	
19	Ramp Angle		18 °	
20	Departure Angle		45 °	
21	Forward Tilt		3 °	
22	Backward Tilt		5 °	
23	Minimum Outside Radius		2590mm	
24	Platform Height (Optional 750mm)	850mm	850mm	850mm
25	Platform Length	1200mm	1400mm	1400mm
A	Capacity	4500kg	5000kg	6000kg
B	Under Weight	9800kg	9900kg	10200kg
C	Maximum Ground Speed		20km/h	
D	Gradability		15%	
E	Kubota V3800-T Diesel/ 4.3 ltr GM LPG		74kW/ 72kW	
F	Electric's		12 Volt	
G	Fork Sections 50 x 200 x	1200mm	1200mm	1400mm
H	27 x 10-12 Front Tyre		OD 680mm / Width 255mm	
I	355/65-15 Rear Tyre		OD 800mm/ Width 295mm	
J	Standard Colour		Green and Grey	
K	Suspension Seat		KAB Model 116	



FEATURES INCLUDE:

- Rubber Mounted Half Open Cabin
- Multi-Direction Operation
- 3 Wheel hydrostatic Drive
- Load Sensing Steering
- 4 Way Lever Positioning of Wheels
- Hydraulic Oil Cooler